

N3001 Microprogram Control Unit

Product Specification

Logic Products

FEATURES

- Schottky TTL process
- 45ns cycle time (typ.)
- Direct addressing of standard bipolar PROM or ROM
- 512 microinstruction addressability
- Advanced organization:
 - 9-bit microprogram address register and bus organized to address memory by row and column
 - 4-bit program latch
 - 2-flag registers
- 11 address control functions:
 - 3 jump and test latch functions
 - 16 way jump and test instructions
- 8 flag control functions:
 - 4 flag input functions
 - 4 flag output functions

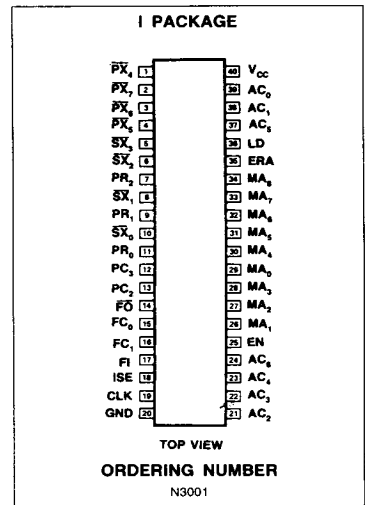
DESCRIPTION

The N3001 MCU is 1 element of a bipolar microcomputer set. When used with the N3002, 74S182, ROM or PROM memory, a powerful microprogrammed computer can be implemented.

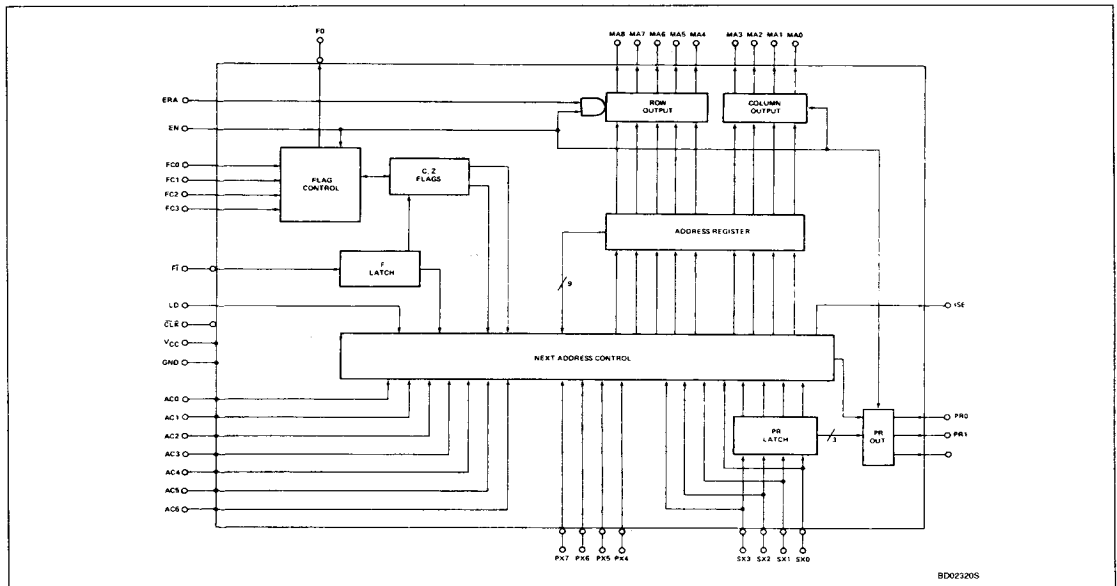
The N3001 MCU controls the fetch sequence of microinstructions from the microprogram memory. Functions performed by the N3001 include:

- Maintenance of microprogram address register
- Selection of next microinstruction address
- Decoding and testing of data supplied via several input buses
- Saving and testing of carry output data from the central processing (CP) array
- Control of carry/shift input data to the CP array
- Control of microprogram interrupts

PIN CONFIGURATION



BLOCK DIAGRAM



Microprogram Control Unit

N3001

PIN DESIGNATION

PIN	SYMBOL	NAME AND FUNCTION	TYPE
1 - 4	$\overline{PX}_4 - \overline{PX}_7$	Primary Instruction Bus Inputs: Data on the primary instruction bus is tested by the JPX function to determine the next microprogram address.	Active low
5, 6, 8, 10	$\overline{SX}_0 - \overline{SX}_3$	Secondary Instruction Bus Inputs: Data on the secondary instruction bus is synchronously loaded into the PR-latch while the data on the PX-bus is being tested (JPX). During a subsequent cycle, the contents of the PR-latch may be tested by the JPR, JLL, or JRL functions to determine the next microprogram address.	Active low
7, 9, 11	PR ₀ - PR ₂	PR-Latch Outputs: The PR-latch outputs (SX ₀ - SX ₂) are synchronously enabled by the JCE function. They can be used to modify microinstructions at the outputs of the microprogram memory or to provide additional control lines.	Open Collector
12, 13 15, 16	FC ₀ - FC ₃	Flag Logic Control Inputs: The flag logic control inputs are used to cross-switch the flags (C and Z) with the flag logic input (FI) and the flag logic output (FO).	Active high
14	\overline{FO}	Flag Logic Output: The outputs of the flags (C and Z) are multiplexed internally to form the common flag logic output. The output may also be forced to a logical 0 or logical 1.	Active low Three-state
17	FI	Flag Logic Input: The flag logic input is demultiplexed internally and applied to the inputs of the flags (C and Z). Note: The flag input data is saved in the F-latch when the clock input (CLK) is low.	Active low
18	ISE	Interrupt Strobe Enable Output: The interrupt strobe enable output goes to logical 1 when one of the JZR functions are selected (see Functional Description). It can be used to provide the strobe signal required by interrupt circuits.	Active high
19	CLK	Clock Input	
20	GND	Ground	
21 - 24 37 - 39	AC ₀ - AC ₆	Next Address Control Function Inputs: All jump functions are selected by these control lines.	Active high
25	EN	Enable Input: When in the high state, the enable input enables the microprogram address, PR-latch and flag outputs.	
26 - 29	MA ₀ - MA ₃	Microprogram Column Address Outputs	Three-state
30 - 34	MA ₄ - MA ₈	Microprogram Row Address Outputs	Three-state
35	ERA	Enable Row Address Input: When in the low state, the enable row address input independently disables the microprogram row address outputs. It can be used to facilitate the implementation of priority interrupt systems.	Active high
36	LD	Microprogram Address Load Input: When the active high state, the microprogram address load input inhibits all jump functions and synchronously loads the data on the instruction buses into the microprogram address register. However, it does not inhibit the operation of the PR-latch or the generation of the interrupt strobe enable.	Active high
40	V _{CC}	+5 Volt supply	

THEORY OF OPERATION

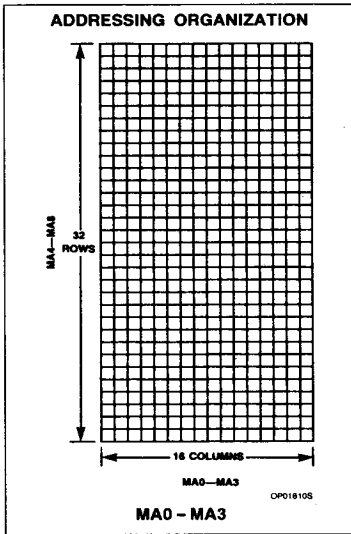
The MCU controls the sequence of microinstructions in the microprogram memory. The MCU simultaneously controls 2 flip-flops (C, Z) which are interactive with the carry-in and carry-out logic of an array of CPEs.

The functional control of the MCU provides both unconditional jumps to new memory locations and jumps which are dependent on the state of MCU flags or the state of the "PR" latch. Each instruction has a "jump set" associated with it. This "jump set" is the total group of memory locations which can be addressed by that instruction.

The MCU utilizes a two-dimensional addressing scheme in the microprogram memory. Microprogram memory is organized as 32 rows and 16 columns for a total of 512 words. Word length is variable according to application. Address is accomplished by a 9-bit address organized as a 5-bit row and 4-bit column address.

Microprogram Control Unit

N3001



FUNCTIONAL DESCRIPTION

The following is a description of each of the eleven address control functions. The symbols shown below are used to specify row and column addresses.

MNEMONIC	FUNCTION
row _n	5-bit next row address where n is the decimal row address.
col _n	4-bit next column address where n is the decimal column address.

Unconditional Address Control (Jump) Functions

The jump functions use the current microprogram address (i.e., the contents of the microprogram address register prior to the rising edge of the clock) and several bits from the address control inputs (AC₀ - AC₆) to generate the next microprogram address.

JUMP FUNCTION TABLE

MNEMONIC	NAME AND FUNCTION
JCC	Jump in current column. AC ₀ - AC ₄ are used to select 1 of 32 row addresses in the current column, specified by MA ₀ - MA ₃ , as the next address.
JZR	Jump to zero row. AC ₀ - AC ₃ are used to select 1 of 16 column addresses in row ₀ , as the next address.
JCR	Jump in current row. AC ₀ - AC ₃ are used to select 1 of 16 addresses in the current row, specified by MA ₄ - MA ₈ , as the next address.
JCE	Jump in current column/row group and enable PR-latch outputs. AC ₀ - AC ₂ are used to select 1 of 8 row addresses in the current row group, specified by MA ₇ - MA ₈ , as the next row address. The current column is specified by MA ₀ - MA ₃ . The PR-latch outputs are asynchronously enabled.

JUMP/TEST FUNCTION TABLE

MNEMONIC	NAME AND FUNCTION
JFL	Jump/test F-latch. AC ₀ - AC ₃ are used to select 1 of 16 row addresses in the current row group, specified by MA ₈ , as the next row address. If the current column group, specified by MA ₃ , is col ₀ - col ₇ , the F-latch is used to select col ₂ or col ₃ as the next column address. If MA ₃ specifies column group col ₈ - col ₁₅ , the F-latch is used to select col ₁₀ or col ₁₁ as the next column address.
JCF	Jump/test C-flag. AC ₀ - AC ₂ are used to select 1 of 8 row addresses in the current row group, specified by MA ₇ and MA ₈ , as the next row address. If the current column group specified by MA ₃ is col ₀ - col ₇ , the C-flag is used to select col ₂ or col ₃ as the next column address. If MA ₃ specifies column group col ₈ - col ₁₅ , the C-flag is used to select col ₁₀ or col ₁₁ as the next column address. JZF
JZF	Jump/test Z-flag. Identical to the JCF function described above, except that the Z-flag, rather than the C-flag, is used to select the next column address.
JPR	Jump/test PR-latch. AC ₀ - AC ₂ are used to select 1 of 8 row addresses in the current row group, specified by MA ₇ and MA ₈ , as the next row address. The 4 PR-latch bits are used to select 1 of 16 possible column addresses as the next column address.
JLL	Jump/test rightmost PR-latch bits. AC ₀ - AC ₂ are used to select 1 of 8 row addresses in the current row group, specified by MA ₇ and MA ₈ , as the next row address. PR ₂ and PR ₃ are used to select 1 of 4 column addresses in col ₄ through col ₇ as the next column address.
JRL	Jump/test rightmost PR-latch bits. AC ₀ and AC ₁ are used to select 1 of 4 high-order row addresses in the current row group, specified by MA ₇ and MA ₈ , as the next row address. PR ₀ and PR ₁ are used to select 1 of 4 possible column addresses in col ₂ through col ₆ as the next column address.
JPX	Jump/test PX-bus and load PR-latch. AC ₀ and AC ₁ are used to select 1 of 4 row addresses in the current row group, specified by MA ₆ - MA ₈ , as the next row address. PX ₄ - PX ₇ are used to select 1 of 16 possible column addresses as the next column address. SX ₀ - SX ₃ data is locked in the PR-latch at the rising edge of the clock.

7

Microprogram Control Unit

N3001

Flag Conditional Address Control (Jump Test) Functions

The jump/test flag functions use the current microprogram address, the contents of the selected flag or latch, and several bits from the address control function to generate the next microprogram address.

PX-Bus and PR-Latch Conditional Address Control (Jump/Test) Functions

The PX-bus jump/test function uses the data on the primary instruction bus (PX₄ - PX₇), the current microprogram address control function to generate the next microprogram address. The PR-latch jump/test functions use the data in the PR-latch, the current microprogram address, and several selection bits from the address control function to generate the next microprogram address.

Flag Control Functions

The flag control functions of the MCU are selected by the 4 input lines designated FC₀ - FC₃. Function code formats are given in "Flag Control Function summary".

The following is a detailed description of each of the 8 flag control functions.

Flag Input Control Functions

The flag input control functions select which flag or flags will be set to the current value of the flag input (FI) line.

Data on FI is stored in the F-latch when the clock is low. The content of the F-latch is loaded into the C and/or Z flag on the rising edge of the clock.

Flag Output Control Functions

The flag output control functions select the value to which the flag output (FO) line will be forced.

FLAG CONTROL FUNCTION

MNEMONIC	FUNCTION DESCRIPTION
SCZ	Set C-flag and Z-flag to FI. The C-flag and the Z-flag are both set to the value of FI.
STZ	Set Z-flag to FI. The Z-flag is set to the value of FI. The C-flag is unaffected.
STC	Set C-flag to FI. The C-flag is set to the value of FI. The Z-flag is unaffected.
HCZ	Hold C-flag and Z-flag. The values in the C-flag and Z-flag are unaffected.

FLAG OUTPUT CONTROL FUNCTION TABLE

MNEMONIC	FUNCTION DESCRIPTION
FF0	Force FO to 0. FO is forced to the value of logical 0.
FFC	Force FO to C. FO is forced to the value of the C-flag.
FFZ	Force FO to Z. FO is forced to the value of the Z-flag.
FF1	Force FO to 1. FO is forced to the value of logical 1.

FLAG CONTROL FUNCTION SUMMARY

TYPE	MNEMONIC	DESCRIPTION	FC ₁	0
Flag Input	SCZ	Set C-flag and Z-flag to f	0	0
	STZ	Set Z-flag to f	0	0
	STC	Set C-flag to f	1	1
	HCZ	Hold C-flag and Z-flag	1	1

TYPE	MNEMONIC	DESCRIPTION	FC ₃	2
Flag Output	FF0	Force FO to 0	0	0
	FFC	Force FO to C-flag	1	0
	FFZ	Force FO to Z-flag	0	1
	FF1	Force FO to 1	1	1

LOAD FUNCTION	NEXT ROW				NEXT COL				
LD 0 1	MA ₈	7	6	5	4	MA ₃	2	1	0
	0	X ₃	X ₂	X ₁	X ₀	X ₇	X ₆	X ₅	X ₄

See Address Control Function Summary

NOTES:

- f = Contents of the F-latch
- xn = Data on PX - or
- SX - bus line n (active low)

ADDRESS CONTROL FUNCTION SUMMARY

MNEMONIC	DESCRIPTION	FUNCTION								NEXT ROW					NEXT COL			
		AC ₆	5	4	3	2	1	0	MA ₈	7	6	5	4	MA ₃	2	1	0	
JCC	Jump in current column	0	0	d ₄	d ₃	d ₂	d ₁	d ₀	d ₄	d ₃	d ₂	d ₁	d ₀	m ₃	m ₂	m ₁	m ₀	
JZR	Jump to zero row	0	1	0	d ₃	d ₂	d ₁	d ₀	0	0	0	0	0	d ₃	d ₂	d ₁	d ₀	
JCR	Jump in current row	0	1	1	d ₃	d ₂	d ₁	d ₀	m ₈	m ₇	m ₆	m ₅	m ₄	d ₃	d ₂	d ₁	d ₀	
JCE	Jump in column/enable	1	1	1	0	d ₂	d ₁	d ₀	m ₈	m ₇	d ₂	d ₁	d ₀	m ₃	m ₂	m ₁	m ₀	
JFL	Jump/test F-latch	1	0	0	d ₃	d ₂	d ₁	d ₀	m ₈	d ₃	d ₂	d ₁	d ₀	m ₃	0	1	f	
JCF	Jump/test C-flag	1	0	1	1	d ₂	d ₁	d ₀	m ₈	m ₇	d ₂	d ₁	d ₀	m ₃	0	1	c	
JZF	Jump/test Z-flag	1	0	1	1	d ₂	d ₁	d ₀	m ₈	m ₇	d ₂	d ₁	d ₀	m ₃	0	1	Z	
JPR	Jump/test PR-latch	1	1	0	0	d ₂	d ₁	d ₀	m ₈	m ₇	d ₂	d ₁	d ₀	p ₂	p ₂	p ₁	p ₀	
JLL	Jump/test left PR bits	1	1	0	1	d ₂	d ₁	d ₀	m ₈	m ₇	d ₂	d ₁	d ₀	0	1	p ₃	p ₂	
JRL	Jump/test right PR bits	1	1	1	1	1	d ₁	d ₀	m ₈	m ₇	1	d ₁	d ₀	1	1	p ₁	p ₀	
JPX	Jump/test PX - bus	1	1	1	1	0	d ₁	d ₀	m ₈	m ₇	m ₆	d ₁	d ₀	X ₇	X ₆	X ₅	X ₄	

NOTES:

- dn = Data on address control line n
- mn = Data in microprogram address register bit n

- Pn = Data in PR-latch bit n
- xn = Data on PX - bus line n (active low)
- f, c, z = Contents of F-latch, C-flag, or Z-flag respectively

Microprogram Control Unit

N3001

STROBE FUNCTIONS

The load function of the MCU is controlled by the input line designated LD. If the LD line is active high at the rising edge of the clock, the data on the primary and secondary instruction buses, $PX_4 - PX_7$ and $SX_0 - SX_3$, is loaded into the microprogram address register. $PX_4 - PX_7$ are loaded into $MA_4 - MA_7$. The high-order bit of the microprogram address register MA_8 is set to a logical 0. The bits from primary instruction bus select 1 of 16 possible column addresses. Likewise, the bits from the secondary instruction bus select 1 of the first 16 row addresses.

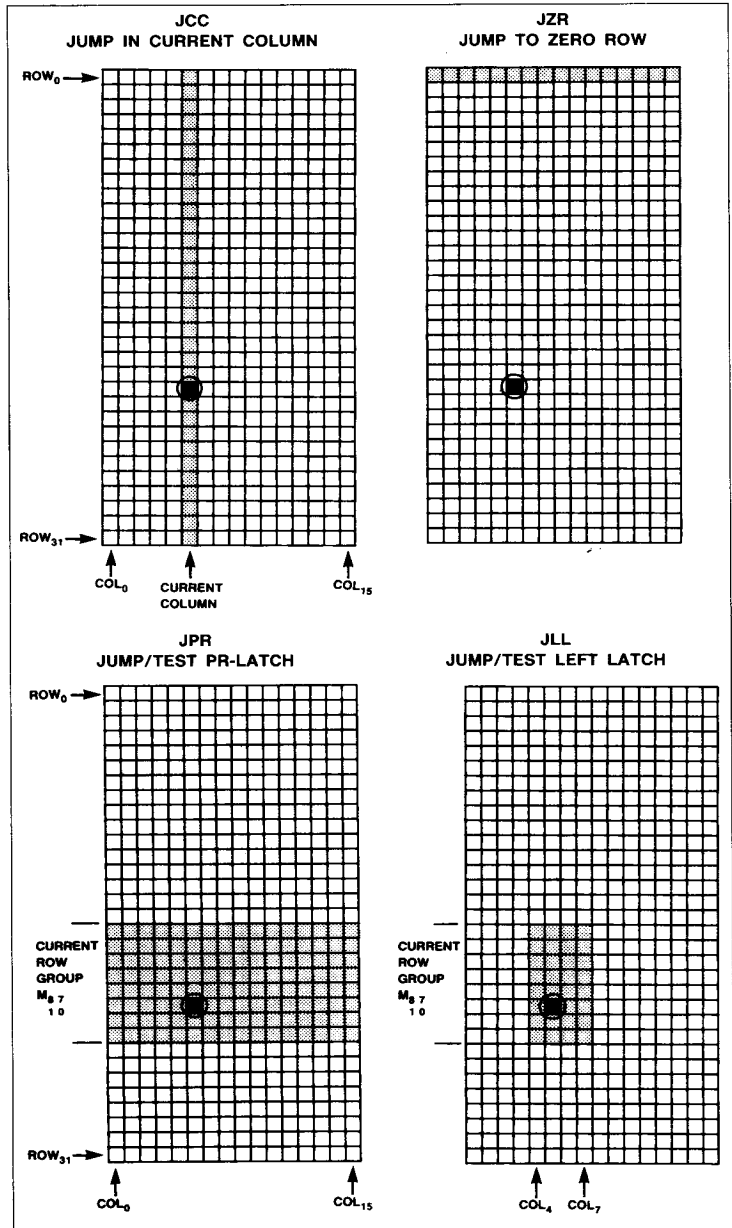
The MCU generates an interrupt strobe enable on the output line designated ISE. The line is placed in active high state whenever a JZR is col_{15} is selected as the address control function. Generally, the start of a macroinstruction fetch sequence is situated at row_0 and col_{15} so the interrupt control may be enabled at the beginning of the fetch/execute cycle. The interrupt control responds to the interrupt by pulling the enable row address (ERA) input line low to override the selected next row address from the MCU. Then by gating an alternative next row address on to the row address lines of the microprogram memory, the microprogram may be forced to enter an interrupt handling routine. The alternative row address placed on the microprogram memory address lines does not alter the contents of the microprogram address register. Therefore, subsequent jump functions will utilize the row address in the register, and not the alternative row address.

Note, the load function always overrides the address control function on $AC_0 - AC_6$. It does not, however, override the latch enable or load sub-functions of the JCE or JPX instruction, respectively. In addition, it does not inhibit the interrupt strobe enable or any of the flag control functions.

JUMP SET DIAGRAMS

The following 10 diagrams illustrate the jump set for each of the 11 jump and jump/test functions of the MCU. Location 341 indicated by the circled square, represents 1 current row (row_{21}) and current column (col_5) address. The dark boxes indicate the microprogram locations that may be selected by the particular function as the next address.

JUMP SET DIAGRAMS

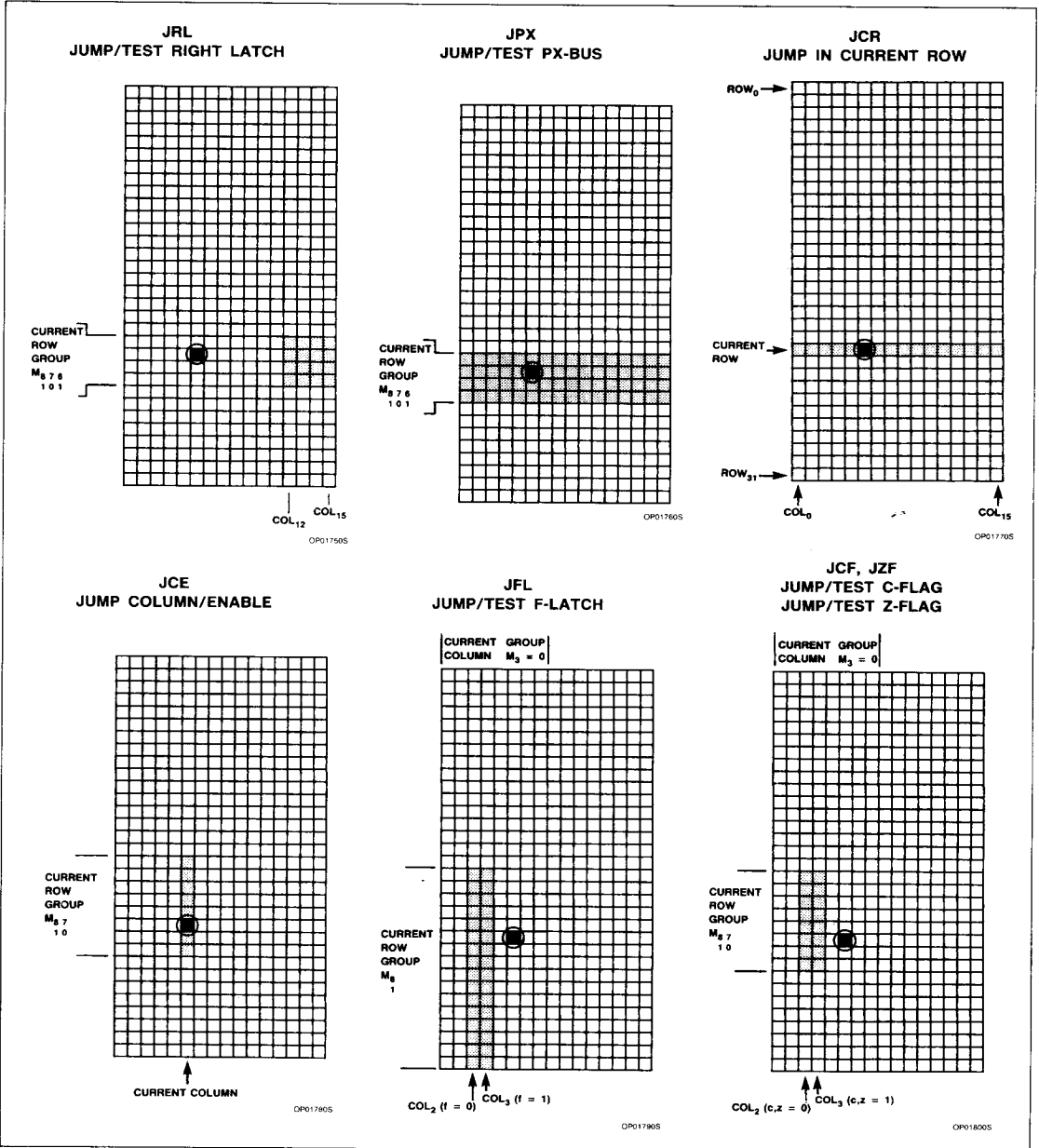


7

Microprogram Control Unit

N3001

JUMP SET DIAGRAMS (Continued)



Microprogram Control Unit

N3001

AC ELECTRICAL CHARACTERISTICS N3001 $T_A = 0^\circ\text{C}$ to $+70^\circ\text{C}$, $V_{CC} = 5.0\text{V}$, $\pm 5\%$ 10%

PARAMETER	N3001			UNIT
	Min	Typ ¹	Max	
t_{CY} Cycle time	60	45		ns
t_{PW} Clock pulse width	17	10		ns
t_{SF} Control and data input set-up times: LD, AC ₀ - AC ₆ (Set to "1"/"0")	20	3/14		ns
t_{SK} FC ₀ , FC ₁	7	5		ns
t_{SX} PX ₄ - PX ₇ (Set to "1"/"0")	28	4/13		ns
t_{SI} FI (Set to "1"/"0")	12	-6/0		ns
t_{SX} SX ₀ - SX ₃	15	5		ns
t_{HF} Control and data input hold times: LD, AC ₀ - AC ₆ (Hold to "1"/"0")	4	-3/-14		ns
t_{HK} FC ₀ , FC ₁	4	-5		ns
t_{HX} PX ₄ - PX ₇ (Hold to "1"/"0")	0	-4/-13		ns
t_{HI} FI (Hold to "1"/"0")	16	6.5/0		ns
t_{HX} SX ₀ - SX ₃	0	-5		ns
t_{CO} Propagation delay from clock input (CLK) to outputs (mA ₀ - mA ₈ , FO) (t _{PHL} /t _{PLH})		17/24	36	ns
t_{KO} Propagation delay from control inputs FC ₂ and FC ₃ to flag out (FO)		13	24	ns
t_{FO} Propagation delay from control inputs AC ₀ - AC ₆ to latch outputs (PR ₀ - PR ₂)		21	32	ns
t_{EO} Propagation delay from enable inputs EN and ERA to outputs (mA ₀ - mA ₈ , FO, PR ₀ - PR ₂)		17	26	ns
t_{FI} Propagation delay from control inputs AC ₀ - AC ₆ to interrupt strobe enable output (ISE)		20	32	ns

NOTES:

1. Typical values are for $T_A = 25^\circ\text{C}$ and 5.0 supply voltage

Microprogram Control Unit

N3001

VOLTAGE WAVEFORMS

